

## Spare Parts Catalogue

Dishwashers \ 06 Generation  
Type: DW95FI  
Model: D1996 US SS-Half Moon

Prod. No: 107199601  
February 24th 2007

**AM Appliances Group**

P.O. Box 851805 • Richardson • TX 75085-1805  
789 N. Grove Road • Suite 103 • Richardson • TX 75081

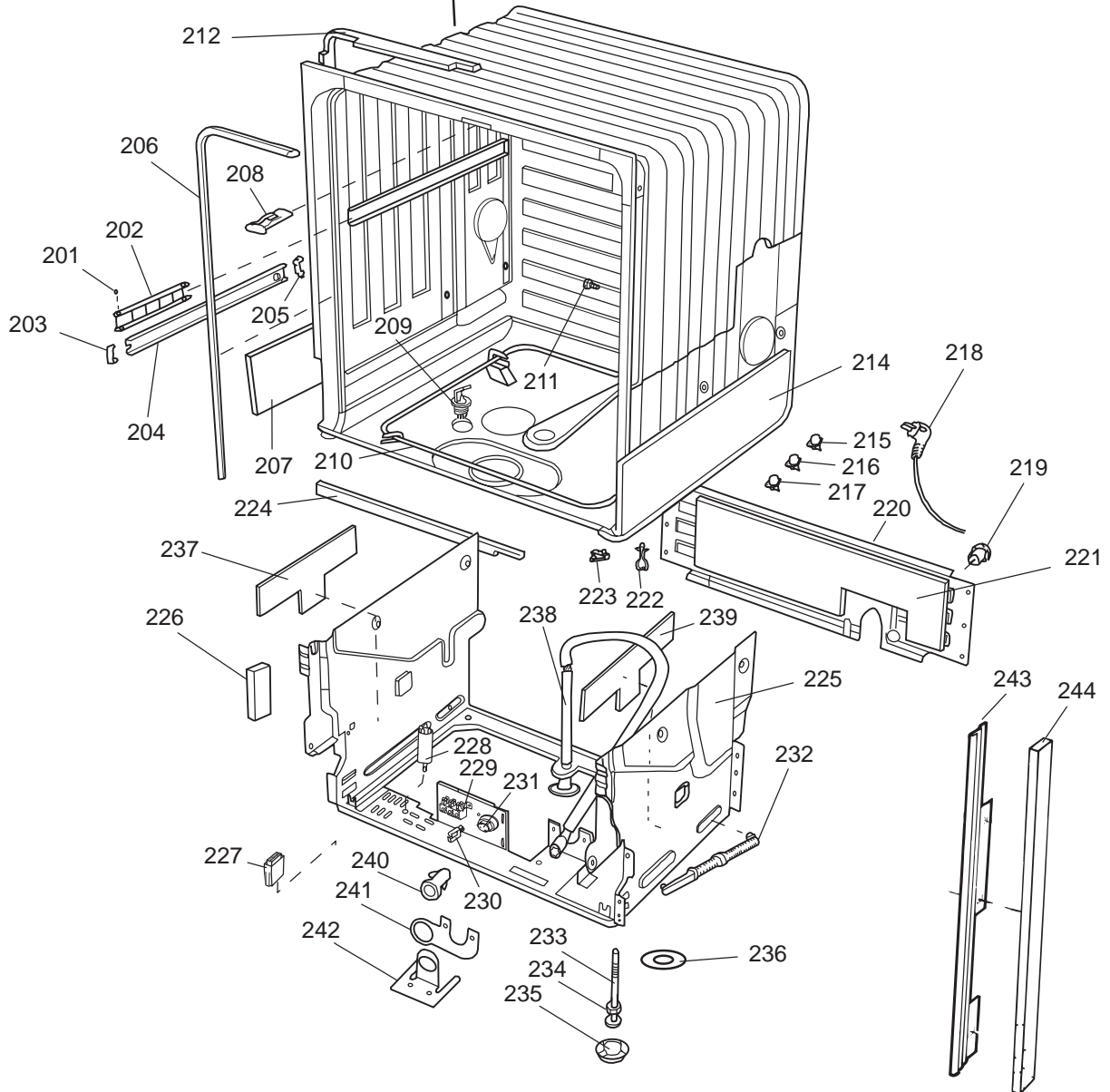
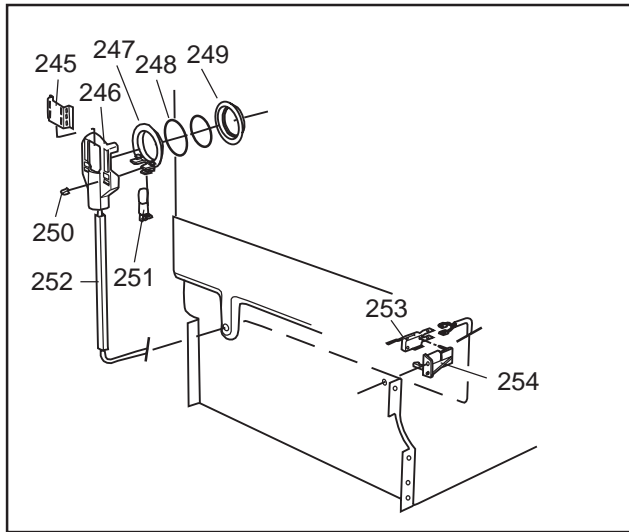
Datum

2003-03-24

Date

## BEHÅLLARE

## CONTAINER AND RELATED PARTS



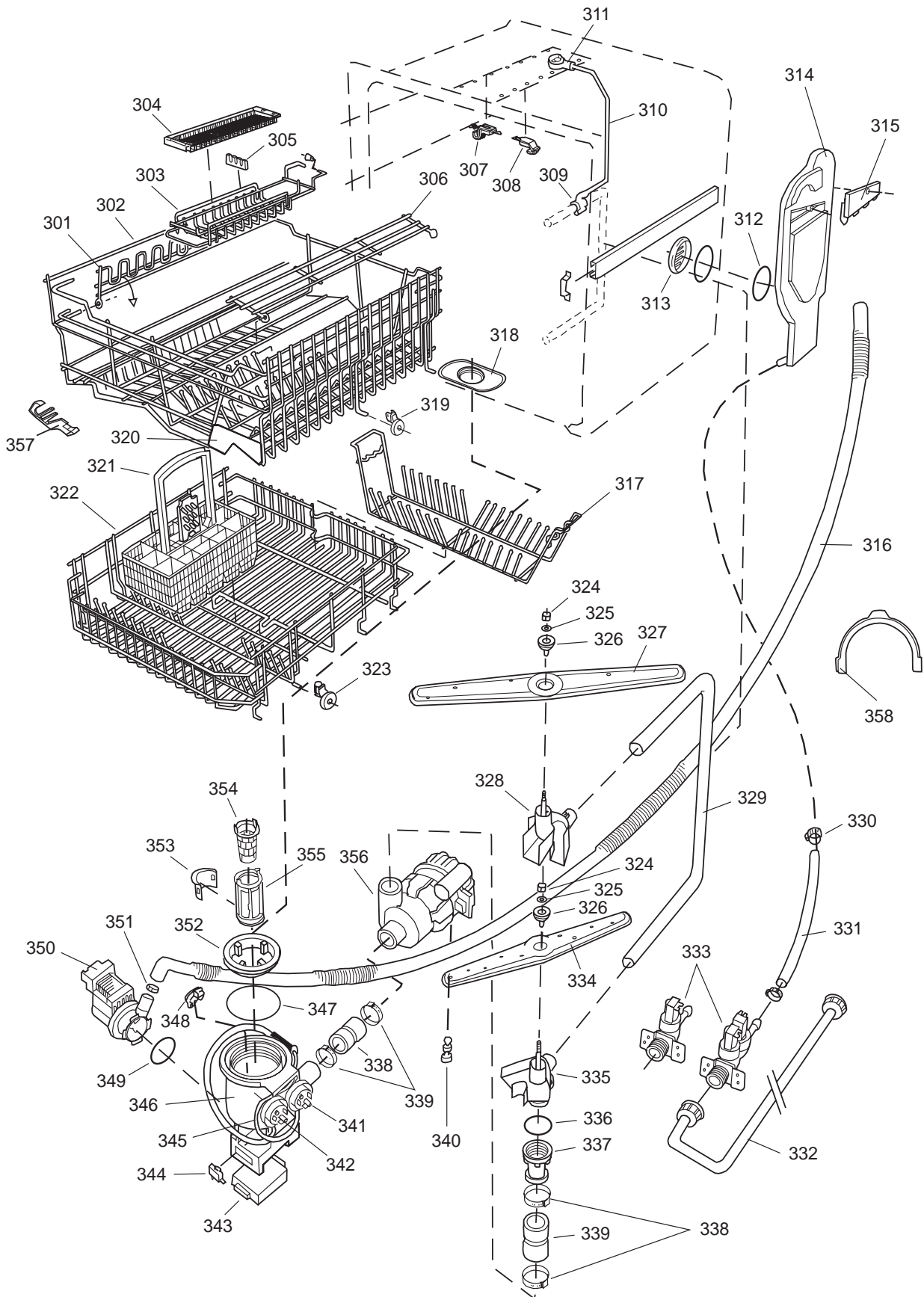
## Container and related parts

ASKO, D1996 US - SS-Half Moon #107199601 (DW95FI)

Pos	Spare part No.	Description	Qty	Comment
201	8057977	Bearing Upper Rail 05/06 DW	8 Pc's	
202	8058638-77	Ball Holder Upper Rail DW	2 Pc's	
203	8057979-77	Rack Stop Grey 05/06 DW	2 Pc's	
204	8057052	Guide Rail '05 '06 DW	2 Pc's	
205	8057978-77	Rail Stop - Back Grey 05/06 DW	2 Pc's	
206	8057489	Tub Seal 05/06 DW	1 Pc's	
207	8060034	Sound absorbing slabcasing 05	1 Pc's	
210	8057077	Heating Element DW 05/06 1400W	1 Pc's	
210	8002370	Protective Collar	2 Pc's	
211	8901110	Screw w/O-Ring DW 05/06 25-T	4 Pc's	
212	8070613	Sealing Strip Casing	1 Pc's	
214	8060035	Sound absorbing slabcasing 05	1 Pc's	
216	8002579	T-Stat 05/06 DW Overheat	1 Pc's	
218	8074043	Power supply cord	1 Pc's	
220	8057527	Rear plate cover	1 Pc's	
220-a	8902357	Screw	5 Pc's	
222	8070142	Cable holder rear 05	1 Pc's	
223	8058495	Cable holder door 05	1 Pc's	
224	8060033	Sound Absorb	1 Pc's	
225	8057523	Bottom and Side support '05	1 Pc's	
225	8074566	Bottom Outer	1 Pc's	If equip with 3-feet
228	8058558	RFI 05/06 WM	1 Pc's	
229	8050251	Terminal Block DW All	1 Pc's	
229-a	8900357	Screw terminal block	1 Pc's	
230	8059991	Cable holder supply line 05	1 Pc's	
231	8006948	Grommet	1 Pc's	
232	8058491-77	Door Spring 05/06 for 0-7 lbs	2 Pc's	
233	8074877	Foot	2 Pc's	
233	8057062	Subs to 8074877	4 Pc's	
234	8901156	Nut Levelling Legs	4 Pc's	
235	8051957	Slide foot 02 DW	3 Pc's	
236	8072119	Washer	4 Pc's	
238	8073647	Foot Adjustable from Front Cpl	1 Pc's	
239	8058352	Sound Absorb Outer	2 Pc's	
241	8060255	No longer Avail	1 Pc's	
242	8070495	Inlet Valve Mount	1 Pc's	
242-a	8900327	Screw 20 Torx Self Tapping	2 Pc's	
243	8059761-95	Filler Strip - Left DW SS	1 Pc's	
243	8059762-95	Filler Strip Right 05/06 DW	1 Pc's	
243-a	8900646	Screw 20 Torx SS	4 Pc's	
244	8070614	Insulationfill strip 05&06 DW	2 Pc's	
245	8054916	Reflector light DW	1 Pc's	
246	8054915	Protection Lamp	1 Pc's	
247	8053087	Interior Light Housing All DW	1 Pc's	
247-a	8901097	Screw Terminal	1 Pc's	
247-b	8901242	Nut	1 Pc's	
247-c	8901413	Lock Washer laundry tops	1 Pc's	
248	8901763	O-Ring Interior Light All DW	1 Pc's	
249	8053086	Lock Ring Light 05/06 DW	1 Pc's	
250	8901592	Filter Dryer Clip	2 Pc's	
251	8055148	Interior Light Bulb DW	1 Pc's	
252	8059968	Cable channel light 05	1 Pc's	
253	8058469	Micro switch light 05	1 Pc's	
254	8054907	BRACKET LAMP SWITCH	1 Pc's	
254-a	8902087	Screw Plastic Housing 20 Torx	1 Pc's	

## DISKSYSTEM

## DISHWASHING SYSTEM



## Dishwashing system

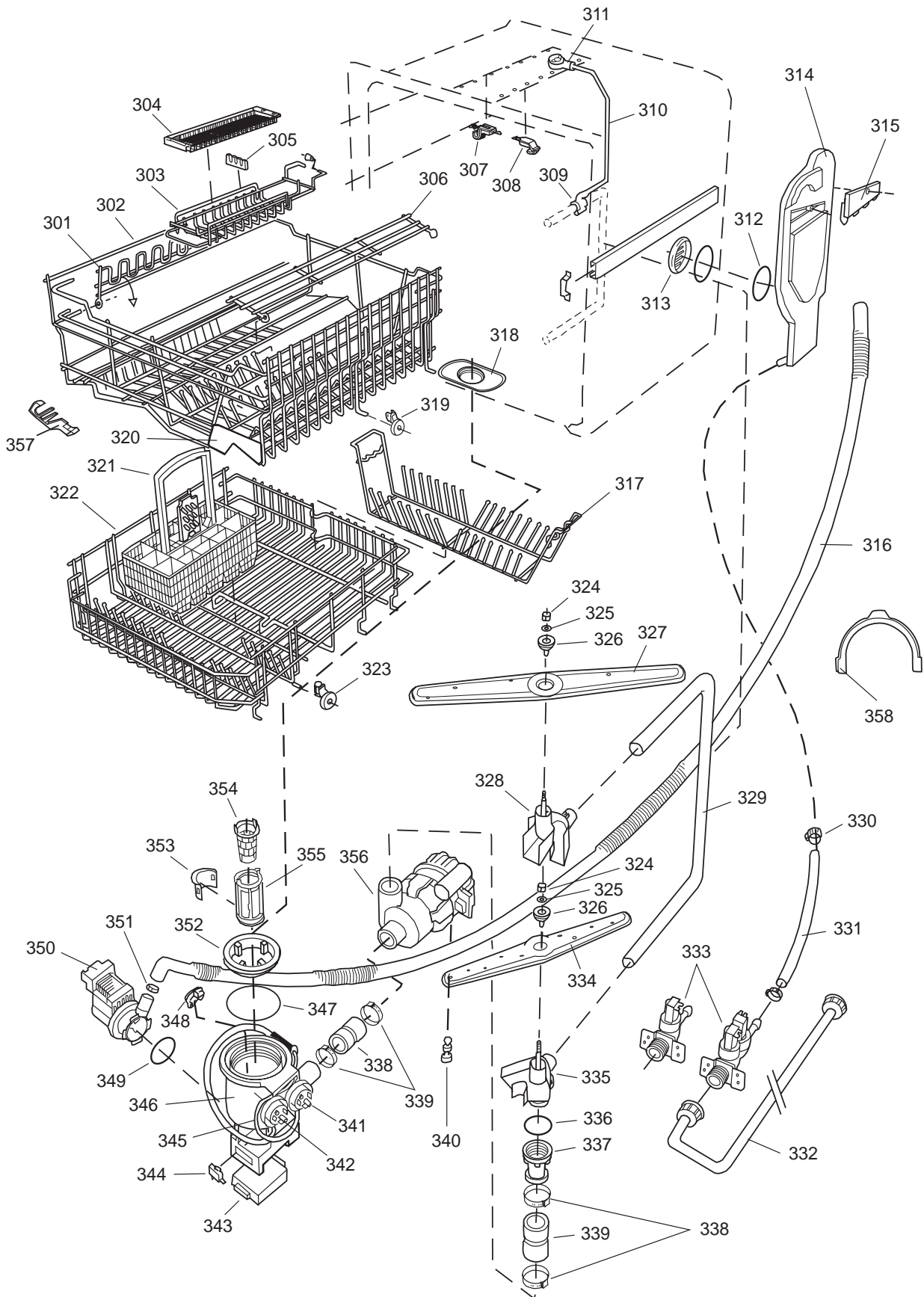
### ASKO, D1996 US - SS-Half Moon #107199601 (DW95FI)

Pos	Spare part No.	Description	Qty	Comment
301	8071337-36	Cup Shelf Wine Glass 05/06 DW	1 Pc's	
302	8801199-36	Rack Upper 05 & 06 DW	1 Pc's	with cup shelf
303	8057058-36	Basket knife box 05	1 Pc's	
304	8053376-77	Long Rack - Silverware Upper	1 Pc's	
305	8057505-77	Knife Holder DW 05/06	1 Pc's	
306	8072550-36	Cup Shelf Divider	2 Pc's	
307	8057502	Clip Upper Knife Rack DW	1 Pc's	
308	8058453	Clip Knife Basket 1800's DW	1 Pc's	
309	8057504-77	Spray Pipe Grommet Lower Grey	1 Pc's	
310	8057500	Spray pipe 05	1 Pc's	
311	8057503-77	Spray Pipe Grommet Upper Gray	1 Pc's	
313	8057536-77	Lockring Airbreak Gray	1 Pc's	
314	8057514	Sub To 8801234	1 Pc's	
316	8075484	OUTLET HOSE NON RETURN VALVE	1 Pc's	
316	8070304	Drain Hose 05/06 DW	1 Pc's	
316-a	8052239	Hose Clamp Squeeze	1 Pc's	
316-a	8073403	Non Return Valve	1 Pc's	
316-b	8053642	Hose Clip	1 Pc's	
318	8059740	Strainer Upper 05/06 DW	1 Pc's	
319	8058498-77	Wheel Upper Basket 05/06 DW	4 Pc's	
321	8801089-77	SUBS to 8801239-77 per factory	1 Pc's	
322	8801200-36	Lower Basket 05/06 DW	1 Pc's	
323	8009516-77	sub to 8078641-77	8 Pc's	Sold in Pkg of 10
324	8901262	Nut for Spray Arm 05	2 Pc's	
325	8052095	Ceramic Washer Spray Arm 05/0	2 Pc's	
326	8057070-77	Spray Arm Insert 05/06 DW	2 Pc's	
327	8072695	Spray Arm - Upper 05/06 DW	1 Pc's	
328	8057068-77	Spray Pipe Bearing Upper	1 Pc's	
329	8057063-D	Spray pipe w/upper cutlery	1 Pc's	
329	8057063	Spray pipe inner 05	1 Pc's	
330	8052189	Hose Clamp Squeeze	2 Pc's	
331	8070622	Ruber Hose	1 Pc's	
332	8073879	Fill hose quick connect	1 Pc's	
333	8073996	Water valve dual. Ease Install	1 Pc's	
333	8072123	Fill Valve Double 05/06 DW. P	1 Pc's	
333-a	8902087	Screw Plastic Housing 20 Torx	2 Pc's	
334	8072692	Spray Arm - Lower 05/06 DW	1 Pc's	
335	8057067-77	Lower Washarm Support 05/06 DW	1 Pc's	
336	8901755	O-Ring Seal	1 Pc's	
337	8057069	Retainer Nut SprayArm 05/06 DW	1 Pc's	
338	8052097	Hose Clamp Circ. Pump 05/06	4 Pc's	
339	8057484	Hose Circ. Pump 05/06 DW	2 Pc's	
340	8055095	BUFFER Circumpump 03/04 DW	1 Pc's	
341	8071024	Level Switch 05/06 DW	1 Pc's	
343	8057053	Subs to 8075110	1 Pc's	
344	8060068	Micro SwitchOverfill 05/06 DW	1 Pc's	
345	8058500	Hose Pressure Sw. 05/06 DW	1 Pc's	
346	8801123	Replaces 8075197-77. Sump 05/0	1 Pc's	
347	8058503	O-Ring Sump 05/06 DW	1 Pc's	
348	8057487-79	Sump Plug DW 05/06 Cleanout	1 Pc's	
349	8002584	O-Ring Drain Pump 05/06 DW	1 Pc's	
350	8072032	Drain Pump 05/06 DW	1 Pc's	
351	8052239	Hose Clamp Squeeze	1 Pc's	
352	8057488	Locking ring bottom well 05	1 Pc's	
353	8058454	Cover Str. Basket 05/06 DW	1 Pc's	
354	8057972-77	Strainer Basket Grey 05/06 DW	1 Pc's	
355	8057486-77	Filter fine 05 & 06 DW	1 Pc's	
356	8071250	Repl by 8801312 Circ. Pump 05/06 DW	1 Pc's	Need clamps 4x 8060266, hoses 2x 8057484 also
356-a	8075380	capacitor D3000	1 Pc's	
358	8072528-77	Holder Outlet Hose	1 Pc's	



## DISKSYSTEM

## DISHWASHING SYSTEM



## ***Dishwashing system***

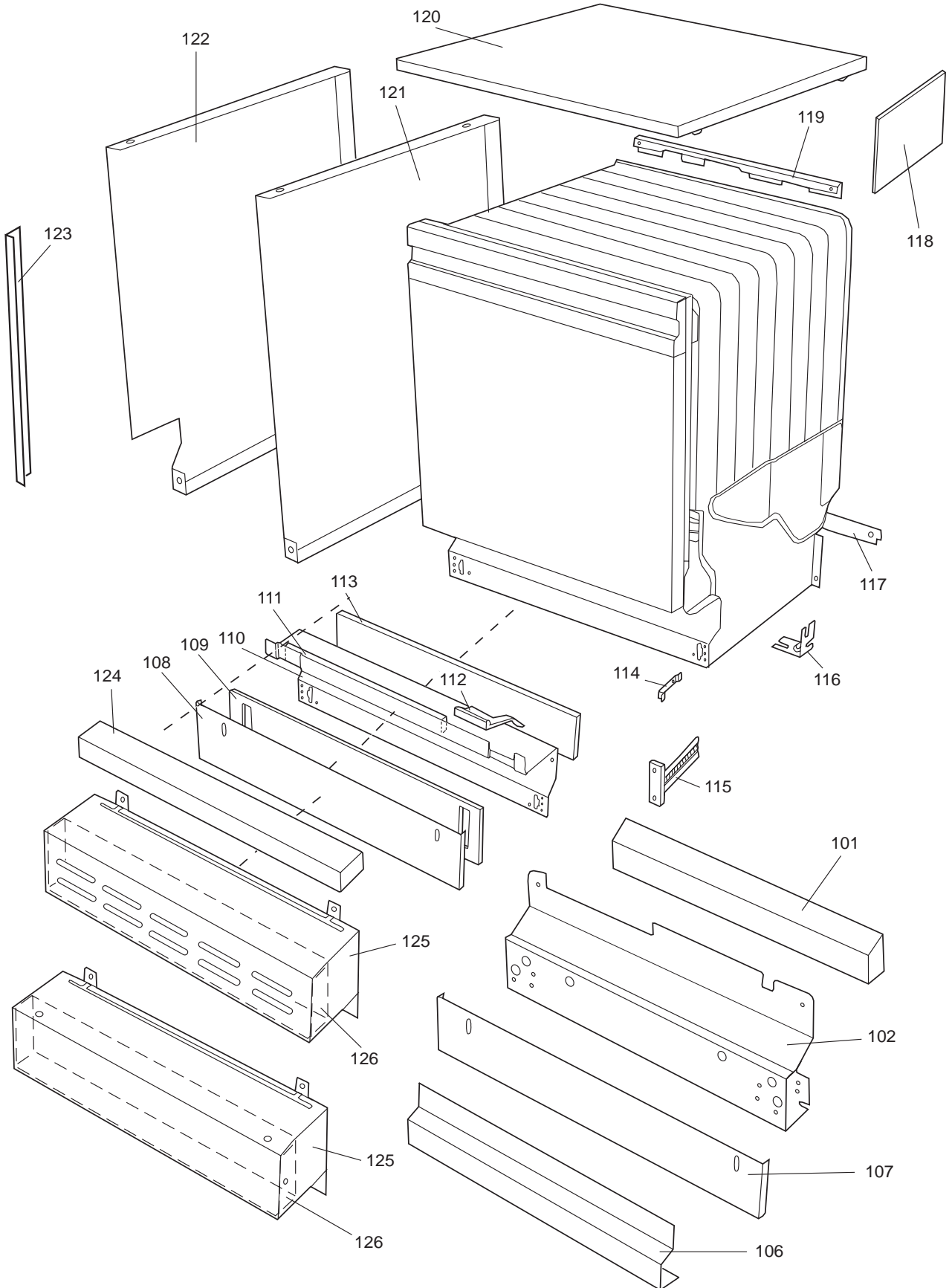
*ASKO, D1996 US - SS-Half Moon #107199601 (DW95FI)*

<b>Pos</b>	<b>Spare part No.</b>	<b>Description</b>	<b>Qty</b>	<b>Comment</b>
358	8050805	GOOSE NECK for DRAIN HOSE	1 Pc's	

Datum  
2003-03-24  
Date

## YTTERHÖLJE

## CASING AND RELATED PARTS

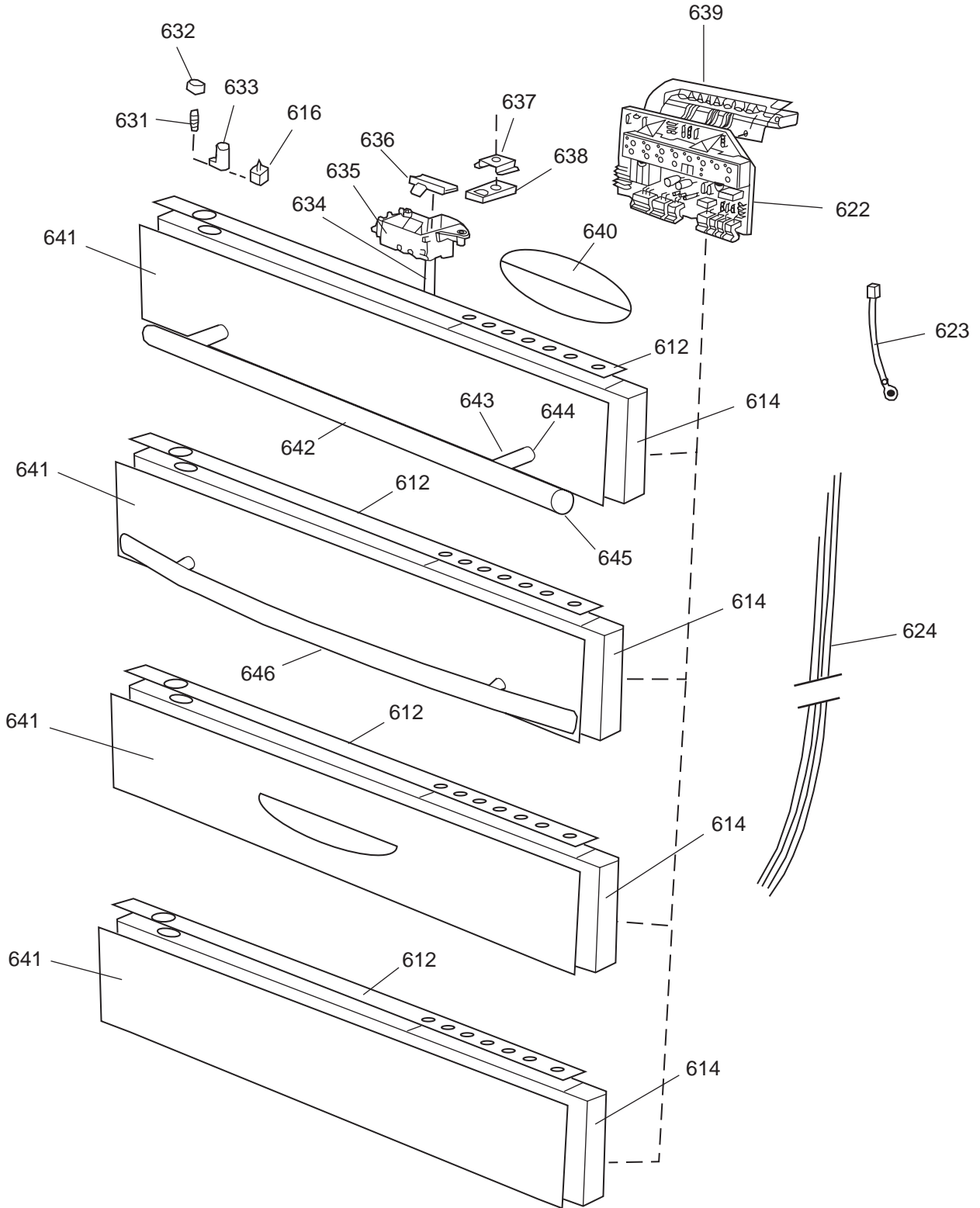




## ***Casing and related parts***

**ASKO, D1996 US - SS-Half Moon #107199601 (DW95FI)**

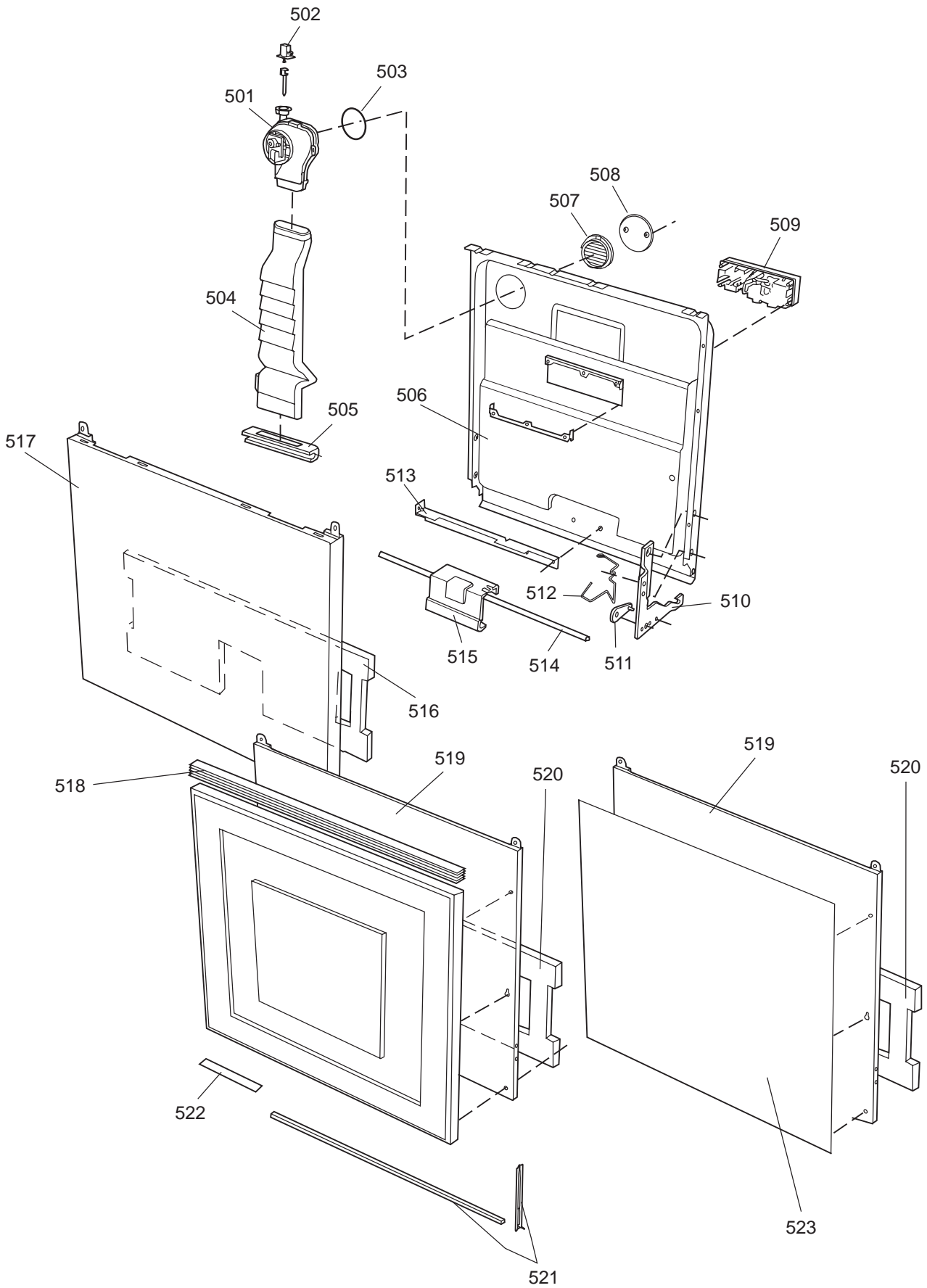
<b>Pos</b>	<b>Spare part No.</b>	<b>Description</b>	<b>Qty</b>	<b>Comment</b>
108	8059758-81	Kick Plate Grey	1 Pc's	
108-a	8900944	Screw Toe Kick 20 Torx	2 Pc's	
109	8070743	Insulation Toe-Kick 05/06 DW	1 Pc's	
110	8057526	Guard Plate DW05 & 06	1 Pc's	
110	8073707	Proection Plate	1 Pc's	
110-a	8902357	Screw	4 Pc's	
111	8060041	Sealing strip protect plte 05	1 Pc's	
112	8058486	Drip Guard Overflow 05/06 DW	1 Pc's	
113	8058353	Sound Absorb Guard	1 Pc's	
114	8057550	Spring Adj. Bracket 05/06 DW	2 Pc's	
114	8073481-49	Spring Kicking Plate L. Gray	2 Pc's	
114-a	8902131	Screw	2 Pc's	
115	8057549	Bracket/Toe Kick 05/06 DW	2 Pc's	
124	8070615	Sealing Lower Panel DW 05/06	1 Pc's	
125	8057100-95	Lower Cover 05/06 DW	1 Pc's	
125-a	8900352	Screw Access Panel 05/06	2 Pc's	
126	8070612	Insul lower panel 05 & 06 DW	1 Pc's	



## Control panel and related parts

ASKO, D1996 US - SS-Half Moon #107199601 (DW95FI)

Pos	Spare part No.	Description	Qty	Comment
612	8072940-81	Decor Insert	1 Pc's	
614	8070640-81	Control Panel 06 DW	1 Pc's	
616	8057547	On/Off Switch DW	1 Pc's	
621	8060076	Cover protective 05	1 Pc's	
622	8801203	Board DW-FI	1 Pc's	
622-a	8902053	Screw	2 Pc's	
622-b	8902087	Screw Plastic Housing 20 Torx	2 Pc's	
622-c	8060076	Cover protective 05	1 Pc's	
623	8059767	Thermistor 05/06 DW	1 Pc's	
624	8073464	Cable D1996 FI	1 Pc's	
624	8059861	BASIC HARNESS DOOR DW95E	1 Pc's	
624	8059865	Basic Harness	1 Pc's	
631	8070650	Spring Main Switch 1805	1 Pc's	
632	8070644-81	Push Button	1 Pc's	
633	8070643-81	Main Switch	1 Pc's	
634	8071077	Rubber Hose handle 1805	1 Pc's	
635	8070647	Latch/Switch Assy1805-1996 DW	1 Pc's	
636	8070645-77	Masking Detail FullInt. Grey	1 Pc's	
637	8070654	LOCK WASHER INTEGR.	1 Pc's	
637	8070648	Lock Washer Int.	1 Pc's	Part of 8070469
638	8070649	Lock Hitch Int.	1 Pc's	
638-a	8070648	Lock Washer Int.	1 Pc's	Part of 8070469
638-b	8901104	Screw 20 Torx Machine	1 Pc's	
639	8071049	Protective Cover Keyboard	1 Pc's	
640	8070641	Handle 1805	1 Pc's	
640-a	8902087	Screw Plastic Housing 20 Torx	2 Pc's	
641	8070882-95	Decor Insert SS FI Front DW	1 Pc's	
690	8075564	INSTR. D/WASHER USA DW95 ENG	1 Pc's	
690	8075565	INSTR. D/WASHER USA DW95 FR	1 Pc's	
690	8075566	INSTR. D/WASHER USA DW95 ES	1 Pc's	
690	8073096	INSTR. GENERAL D/WASHER USA	1 Pc's	



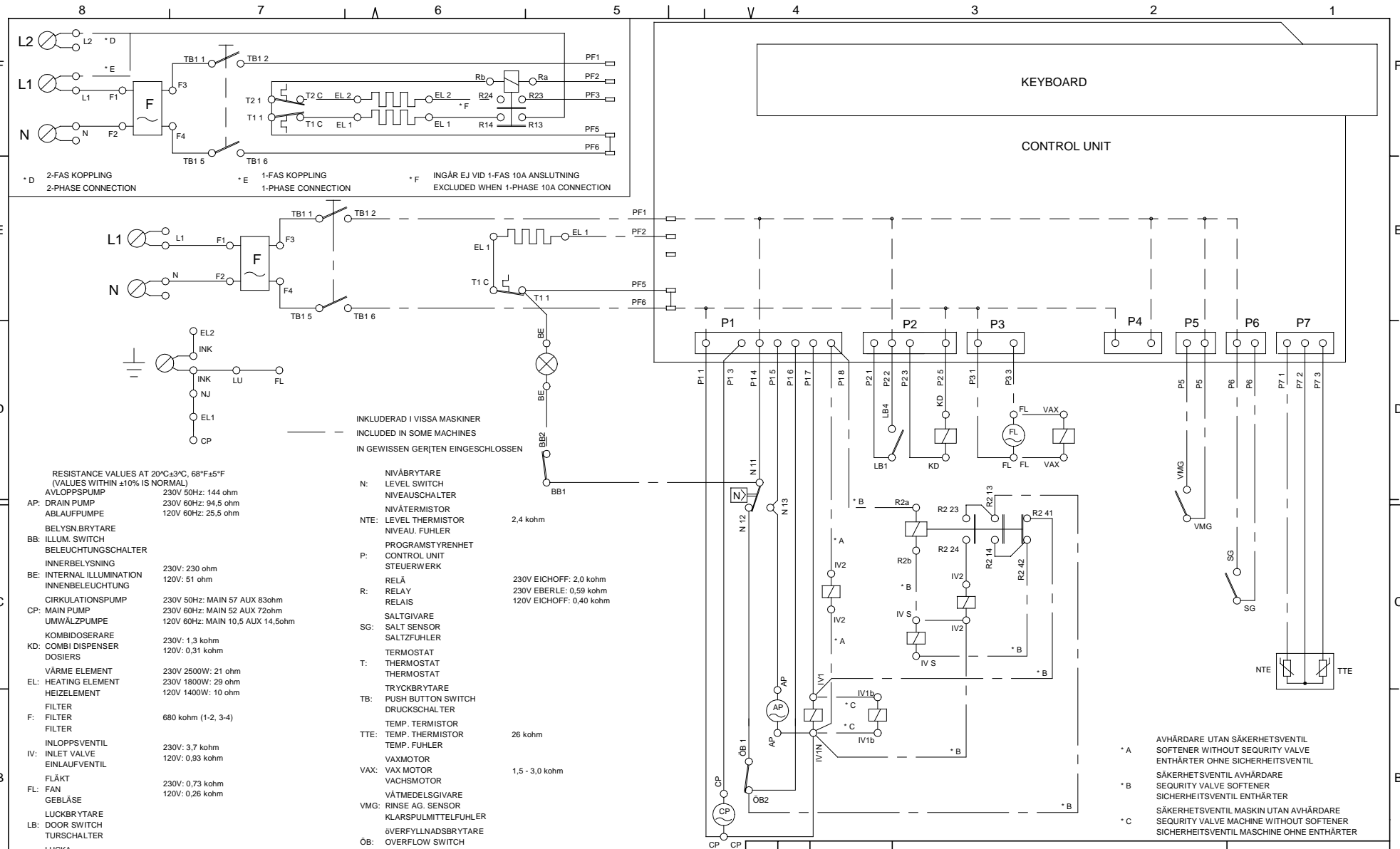
## Door and related parts

ASKO, D1996 US - SS-Half Moon #107199601 (DW95FI)

Pos	Spare part No.	Description	Qty	Comment
501	8052778	WAX MOTOR DW 05/06	1 Pc's	
501	8060021	Turbo Fan Complete 05/06 DW	1 Pc's	
503	8058501	O-Ring Turbo Fan Dry 05/06 DW	1 Pc's	
504	8057963-S	Air Channel Short	1 Pc's	
505	8071078-33	Nozzle Vent Black	1 Pc's	
505	8072729-33	Air Pipe	1 Pc's	
506	8801118	Inner Door 05/06 w/Fan DW	1 Pc's	
507	8057964	Locking ring turbo fan 05	1 Pc's	
507-a	8902085	Screw 20T for Plastic	2 Pc's	
508	8058484	SS Coverplate Turbo Fan DW	1 Pc's	
508-a	8902085	Screw 20T for Plastic	2 Pc's	
509	8801140-77	Combi Disp.	1 Pc's	
510	8057524	Hinge Right DW 05/06	1 Pc's	
510	8057525	Hinge left DW 05/06	1 Pc's	
510-a	33500262	Nut - Term Block	1 Pc's	
510-b	8057530	Screw hinge 05	1 Pc's	
510-c	8902120	Screw 20 Torx Machine	2 Pc's	
511	8057948	Slide washer hinge bearing 05	2 Pc's	
512	8073612	Bracket for Harness	1 Pc's	
514	8060254	Lower SealInner Door 05/06 DW	1 Pc's	
515	8057985	Outer Door Lower Stay 05/06 DW	1 Pc's	
515-a	8902357	Screw	2 Pc's	
516	8060080	SOUND ABSORP. INNER DOOR COMBI	1 Pc's	
519	8074801-95	DOOR OUTER PART SHORT STAINL.	1 Pc's	
519	8057986-95	Outer Door 05/06 SS DW	1 Pc's	
520	8070294	Sound Insulation DW Ft. Door	1 Pc's	

This document must not be copied without our written permission, and the contents may not be used for any unauthorized purpose. Askö Cylinda AB

S:\U\trr1\Kopplingschema\8058481.dft, mss1, 2002-04-04 14:29:42

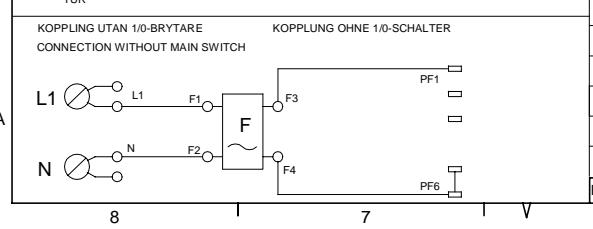


\* D 2-FAS KOPPLING 2-PHASE CONNECTION  
 \* E 1-FAS KOPPLING 1-PHASE CONNECTION  
 \* F INGÅR EJ VID 1-FAS 10A ANSLUTNING EXCLUDED WHEN 1-PHASE 10A CONNECTION

- RESISTANCE VALUES AT 20°C±3°C, 68°F±5°F (VALUES WITHIN ±10% IS NORMAL)
- AVLOPPSPUMP 230V 50Hz: 144 ohm
  - AP: DRAIN PUMP 230V 60Hz: 94,5 ohm
  - ABLAUFpumpe 120V 60Hz: 25,5 ohm
  - BELYSN BRYTARE
  - BB: ILLUM. SWITCH
  - BELEUCHTUNGSCHALTER
  - INNERBELYSNING 230V: 230 ohm
  - BE: INTERNAL ILLUMINATION 120V: 51 ohm
  - INNENBELEUCHTUNG
  - CIRKULATIONS-PUMP 230V 50Hz: MAIN 57 AUX 83ohm
  - CP: MAIN PUMP 230V 60Hz: MAIN 52 AUX 72ohm
  - UMWÄLZPUMPE 120V 60Hz: MAIN 10,5 AUX 14,5ohm
  - KOMBIDOSERARE
  - KD: COMBI DISPENSER 230V: 1,3 kohm
  - DOSIERS 120V: 0,31 kohm
  - VÄRME ELEMENT 230V 2500W: 21 ohm
  - EL: HEATING ELEMENT 230V 1800W: 29 ohm
  - HEIZELEMENT 120V 1400W: 10 ohm
  - FILTER
  - F: FILTER 680 kohm (1-2, 3-4)
  - FILTER
  - INLOPPSVENTIL 230V: 3,7 kohm
  - IV: INLET VALVE 120V: 0,93 kohm
  - EINLAUFVENTIL
  - FLÄKT 230V: 0,73 kohm
  - FL: FAN 120V: 0,26 kohm
  - GEBLÄSE
  - LUCKBRYTARE
  - LB: DOOR SWITCH
  - TURSchALTER
  - LUCKA
  - LU: DOOR TUR

- INKLUDERAD I VISSA MASKINER INCLUDED IN SOME MACHINES IN GEWISSEN GERÄTEN EINGESCHLOSSEN
- N: NIVÅBRYTARE LEVEL SWITCH
  - NIVEAUSCHALTER
  - NIVÅTERMISTOR
  - NTE: LEVEL THERMISTOR NIVEAU. FUHLER
  - P: PROGRAMSTYRENHET CONTROL UNIT STEUERWERK
  - R: RELÄ RELAY 230V EICHOFF: 2,0 kohm
  - RELAIS 230V EBERLE: 0,59 kohm
  - 120V EICHOFF: 0,40 kohm
  - SG: SALTGIVARE SALT SENSOR
  - SALTZFUHLER
  - T: THERMOSTAT THERMOSTAT
  - TRYCKBRYTARE
  - TB: PUSH BUTTON SWITCH DRUCKSCHALTER
  - TEMP. TERMISTOR
  - TTE: TEMP. THERMISTOR TEMP. FUHLER 26 kohm
  - VAXMOTOR
  - VAX: VAX MOTOR 1,5 - 3,0 kohm
  - VACHSMOTOR
  - VÄTMEDELSGIVARE
  - VMG: RINSE AG. SENSOR KLARSPULMITTELFUHLER
  - ÖVERFYLNLADSBRYTARE
  - ÖB: OVERFLOW SWITCH ÜBERFÜLLSICHERUNGSSCHALTER

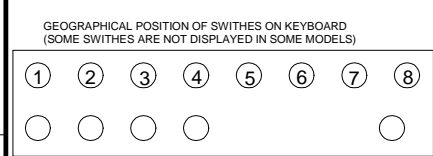
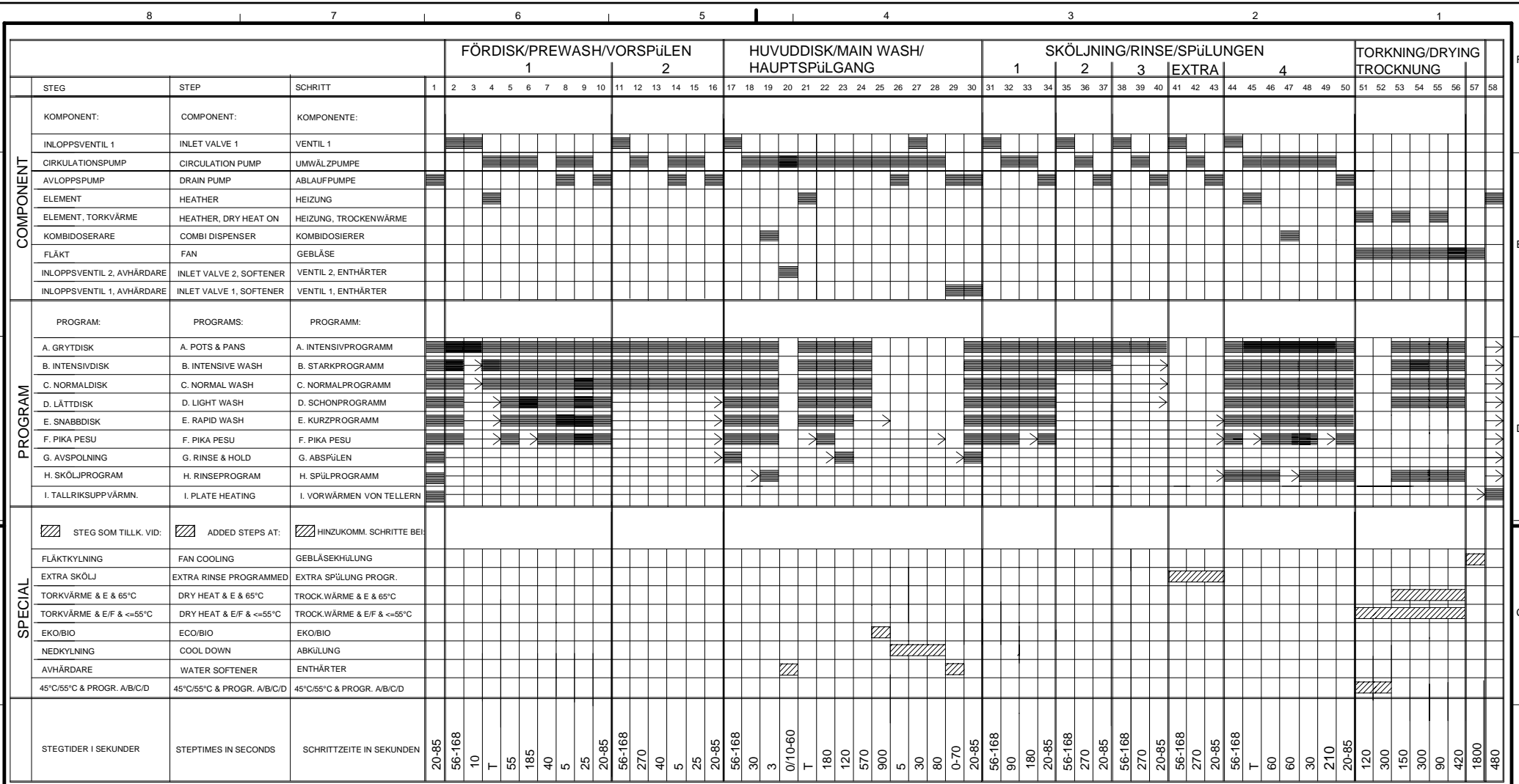
- \* A AVHÄRDARE UTAN SÄKERHETSVENTIL SOFTENER WITHOUT SECURITY VALVE ENTHÄRTER OHNE SICHERHEITSVENTIL
- \* B SÄKERHETSVENTIL AVHÄRDARE SECURITY VALVE SOFTENER SICHERHEITSVENTIL ENTHÄRTER
- \* C SÄKERHETSVENTIL MASKIN UTAN AVHÄRDARE SECURITY VALVE MACHINE WITHOUT SOFTENER SICHERHEITSVENTIL MASCHINE OHNE ENTHÄRTER



05	Resistansvärden inf.	ML	97 42
04	Koppl. innerbelysn. mod.	ML	97 36
03	Koppl. *F: 1-fas 10A inf.	ML	95 48
02	Ny koppl. avh m säkerh.	ML	95 13
01	Koppl. utan 1/0-bryt. inf.	ML	95 06
01	Inl.ventil avh. m. sak. inf.	ML	95 06
Rev ind	Revision	Appd	Year Week

Pos.	Qty	Part No.	Name of item	Material
Material		Dens.Kg/dm3		Dimensions, Type, etc.
Scale		Gen.tolerance		1,04
Designed by		Gen.tol.Angle		Description(ENG)
Released by		Iss by Dept UD Year 94 Week 17		Description(SE)
Komplettschemanr.		80 584 83-05		<b>80 584 81 05</b>
Rev Ind		Replace		8058481-04
Project				





**INLET TIME**  
 PRESS 5 FIVE TIMES TO ENTER REPROGRAMMING MODE  
 PRESS 3 TO GET NORMAL INLET TIME (DEFAULT) OR  
 PRESS 4 TO GET AN 25% INCREASE OR  
 PRESS 5 TO GET AN 50% INCREASE OR  
 PRESS 6 TO GET AN 100% INCREASE OR  
 PRESS 7 TO GET AN 150% INCREASE OR  
 PRESS 8 TO GET AN 200% INCREASE

**DRAINAGE TIME**  
 PRESS 3 FIVE TIMES TO ENTER REPROGRAMMING MODE  
 PRESS 3 TO GET 20 SEC. DRAINAGE TIME OR  
 PRESS 4 TO GET 25 SEC. DRAINAGE TIME (DEFAULT) OR  
 PRESS 5 TO GET 35 SEC. DRAINAGE TIME OR  
 PRESS 6 TO GET 45 SEC. DRAINAGE TIME OR  
 PRESS 7 TO GET 85 SEC. DRAINAGE TIME

**FAULT TRACING PROGRAM**  
 PRESS 6 FIVE TIMES TO ENTER FAULT TRACING MODE  
 PRESS 2 TO START INLET VALVE 2 (NOT DW95.3)  
 PRESS 3 TO START INLET VALVE 1  
 PRESS 4 TO START COMBI DISPENSER (AND INLET VALVE 2 DW95.3)  
 PRESS 5 TO START HEATER  
 PRESS 6 TO START CIRCULATION PUMP  
 PRESS 7 TO START DRAIN PUMP (AND FAN/VAXMOTOR DW95.3 & DW95.4 USA)  
 PRESS 8 TO START FAN/VAXMOTOR (NOT DW95.3 & DW95.4 USA)  
 PRESS START/STOP TO EXIT FAULT TRACING MODE (DW95.3 ANY PROGR. SW. 3 SEC.)

04	Reprogr. & Faulttrace impl	ML	97 44
03	Wash programs & control of softener modified. Microprocessor v505 impl.	ML	97 23
02	Control of softener and levelsensor modified. Microprocessor v338 impl.	ML	95 47
01	Water softener impl.	ML	95 08
Rev ind	Revision	Appd	Year Week

Article No.	Name of item	Qty	Material, dimensions, type, etc.
Scale:	Gen. tolerance:	Description(English) TIMERDIAGRAM DW953/4/5	
Designed by	Drawn by <b>MATS LJLJA</b>	Description(own language) TIMERDIAGRAM DW953/4/5	
Drawing checked by	Iss by Dept	Year	Week
Komplettschema		80 584 82	
80 584 83		Rev Ind	Replace 8058482-03 Replaced by
		04	